



CONVALVE
SPECIALIST IN VALVE AUTOMATION



DECLUTCH WORM GEAR



ISO 9001
Quality 

ISO 14001
Environment 

OHSAS 18001
Health & Safety 



DECLUTCH WORM GEAR

Scan me

DESCRIPTION

Declutchable worm gear provides a means of manual control of valves, dampers, and other quarter-turn devices normally operated by air pressure. It is located between the valve and pneumatic actuator following an ISO5210 , ISO5211 standard mounting system. This gear actuator has a female output drive connected to the internal gear mechanism. Turning the operating lever engages the worm gear, which in turn drives the internal gear mechanism.

The connection between the valve, gear box and actuator is a coupling shaft that rests on the valve stem. This shaft rotates through the output drive of the gear actuator and connects to the output drive of the actuator.

Designed with an IP65 rating, the Declutchable worm gear is dust and weather resistant. It works well in temperatures ranging from -20°C to 80°C.

FEATURES

To engage in manual operation, first, pull out the lock handle and then rotate the clutch lever in an anti-clockwise direction until engagement takes place. To return to automatic mode, first pull out the lock handle and then rotate the clutch lever clockwise.

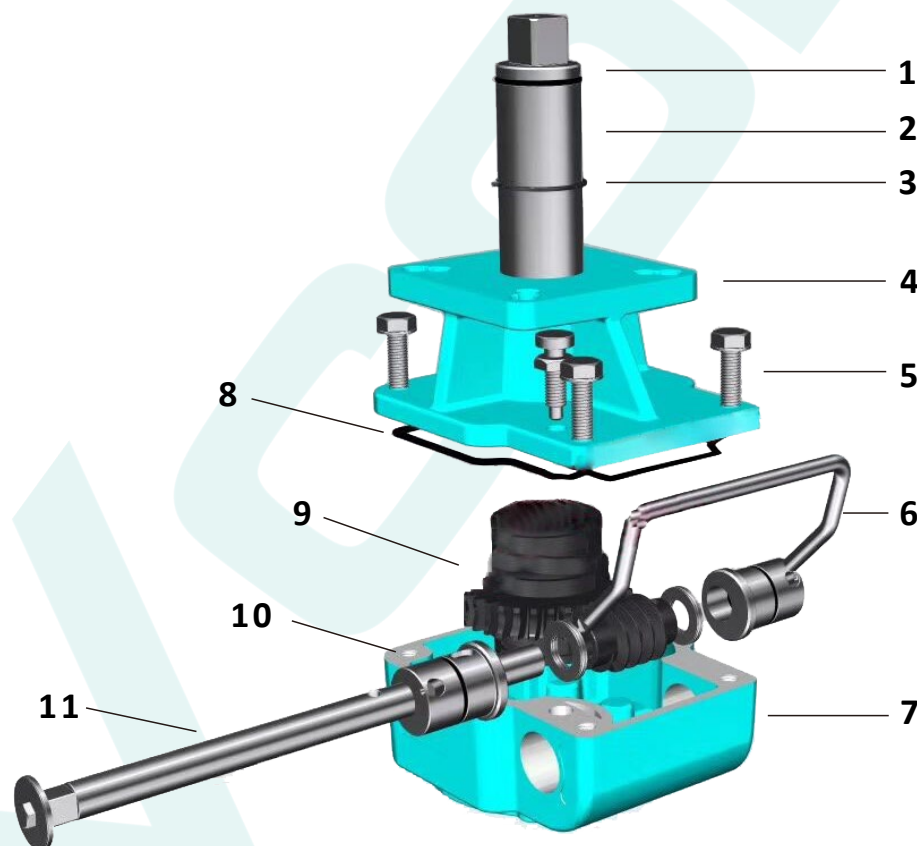
APPLICATION

Declutchable worm gear are applied to dampers, ball valves, butterfly valves and also other 90° quarter turn valves. Declutchable worm gear operator has various models of hand wheels for optional.

CONNECT WITH VALVE

The flange connecting to valve is according to ISO5210, ISO5211 or DIN3210 (Customization)

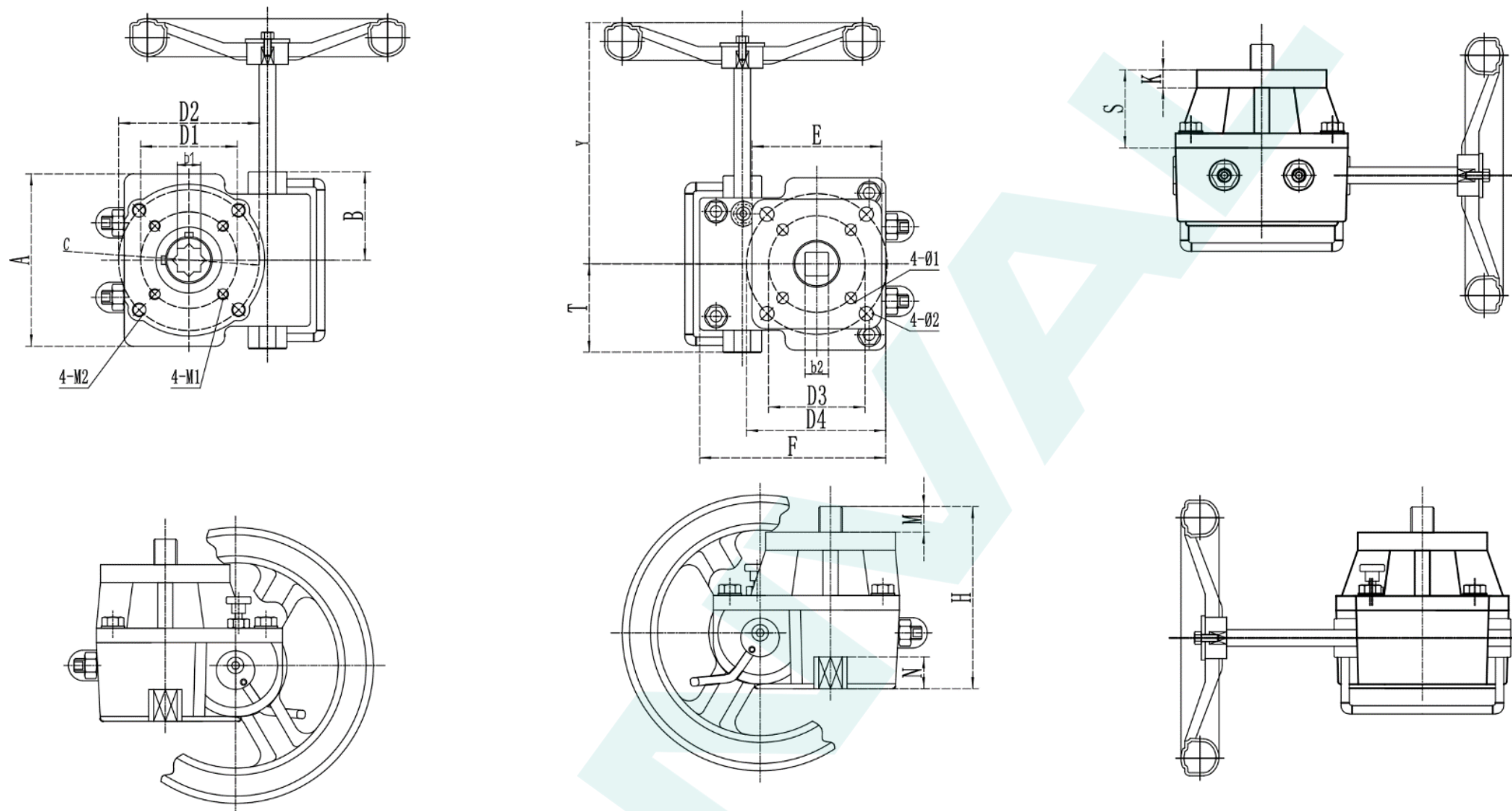
CONSTRUCTION



NO	NAME	MATERIAL
1	SHAFT	45# Steel
2	SEAL RING	EPDM
3	SNAP SPRING	Spring Steel
4	UPPER END CAP	Aluminium Die Casting
5	SCREW	304
6	PULL ROD	304
7	BODY	Aluminium Die Casting
8	SEAL RING	EPDM
9	GEAR	EN-GJS-500
10	REDUCING SLEEVE	EN-GJS-400
11	WORM	EN-GJS-400

DIMENSIONS MM

MODEL	PNEUMATIC ACTUATOR CYLINDER DIAMETER DOUBLE ACTING	PNEUMATIC ACTUATOR CYLINDER DIAMETER SINGLE ACTING
CVDGB-1	PAC052DA - PAC092DA	PAC052SR - PAC092SR
CVDGB-2	PAC092DA - PAC105DA	PAC083SR - PAC105SR
CVDGB-3	PAC125DA - PAC160DA	PAC105SR - PAC125SR
CVDGB-4	PAC190DA - PAC210DA	PAC140SR - PAC160SR
CVDGB-5	PAC240DA	PAC190SR - PAC210SR
CVDGB-6	PAC270DA - PAC300DA	PAC240SR - PAC270SR



NOTE : THE BOTTOM CENTER OF THE CVDGB-4 IS EITHER F10/F14 OR F10/F12

MANUA OVERRIDE	COUNTERSHAFT				VALVE CONNECTION				ACTUATOR CONNECTION				A	B	ΦC	F	T	Y	H	S	K	RATIO	RATED OUTPUT	
	B1	N	B2	M	D1	4-M1	D2	4-M2	E	D3	4-Φ1	D4												4-Φ2
CVDGB-1	14	22	14	16	Φ50	4-M6	Φ70	4-M8	70*70	Φ50	4-Φ6.5	Φ70	4-Φ8.5	90	55	Φ88	115	44	145	120	53	10	26:1	250NM
CVDGB-2	17	22	17	18	Φ70	4-M8	Φ102	4-M10	95*95	Φ70	4-Φ8.5	Φ102	4-Φ10.5	125	64	Φ110	135	62.5	178	133	56.5	13	28:1	450NM
CVDGB-3	22	28	22	22	Φ102	4-M10	Φ125	4-M12	114*114	Φ102	4-Φ10.5	Φ125	4-Φ12.5	140	71	Φ129	166	70	212	180	68.7	12.5	38:1	700NM
CVDGB-4	27	32	27	30	Φ102	4-M10	Φ125	4-M12	129*129	Φ125	4-Φ12.5	Φ140	4-Φ16.5	188.5	93	Φ174	202	94	280	195	84	15	54:1	1200NM
CVDGB-5	36	45	36	38	Φ140	4-M16	/	/	156*156	Φ140	4-Φ17	Φ165	4-Φ21	222	110	Φ205	245	110	315	225	92	15	80:1	2000NM
CVDGB-6	46	50	46	48	Φ165	4-M20	/	/	160*160	Φ165	4-Φ22	/	/	252	120	Φ275	280	125	320	252	102	15	78:1	3000NM