



POSITION INDICATORS



- ISO 9001 Quality 
- ISO 14001 Environment 
- OHSAS 18001 Health & Safety 



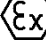
POSITION INDICATORS VISUAL MONITOR WITH LIMIT SWITCHES

Scan me

DESCRIPTION

Convalve position indicator (limit switch boxes) is a rotary position device used to confirm the valve position when mounted to a pneumatic actuator. The visual indicator on top of the device can display the valve position for local detection. Mechanical limit switches provide an electrical signal output to PLC's or other devices to confirm both the open and closed valve position

FEATURES

- Multiview visual valve position indicator
- Dual limit switches for remote valve position confirmation
- Standard Namur VDI/VDE-3845 mounting
- Weatherproof Type 4, NEMA 4X and IP67 construction
- Polyester powder-coated aluminum housing
- Universal mounting bracket included
-  Exproof models are available (API 400, API 500)
- Proximity sensor (API 220)

APPLICATIONS

Position indicators (limit switch boxes) are rotary position devices used for both local and remote indication of valve position. Indicators are typically mounted to the top of standard pneumatic rotary actuators via the standard Namur VDI/VDE-3845 mounting pad.

OPERATION

The output shaft from the air actuator rotates 90° turning the input shaft of the monitor and moving the visual indicator from closed to open (reverses to close). In addition, limit switches provide a dry contact output signal in both the open and closed positions. This signal is used to remotely confirm the valve position.

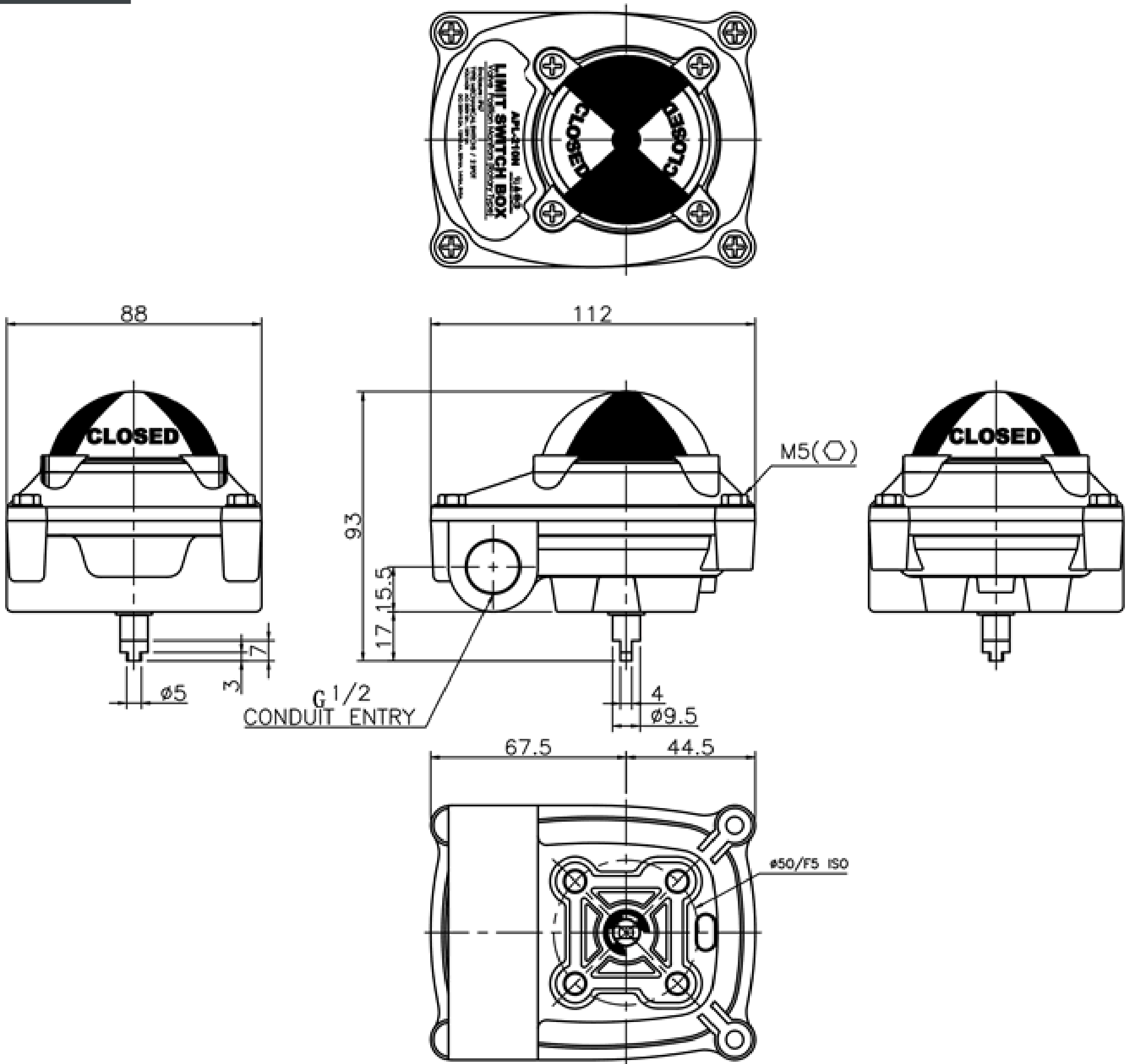
SPECIFICATION

ENCLOSURE RATING	Weatherproof Type 4, Nema 4X and IP67, Exd II Ct6 (API 400, API 500)
OPERATING TEMPERATURE	-20 to 85° C (-4 to 185° F)
VISUAL INDICATOR	Open-Closed multi-angle top and side view (yellow/red)
LIMIT SWITCHES	2 SPDT mechanical 5A 125-250 VAC (Honeywell) , Inductive (API220)
ELECTRICAL CONNECTION	2 x 1/2" female conduit
TERMINAL STRIP	8 Rugged screw terminals
MOUNTING BRACKET	Fits Namur 30x80mm and 30x130mm mounting pad
APPROVALS	CSA C/US, CE

CONSTRUCTION

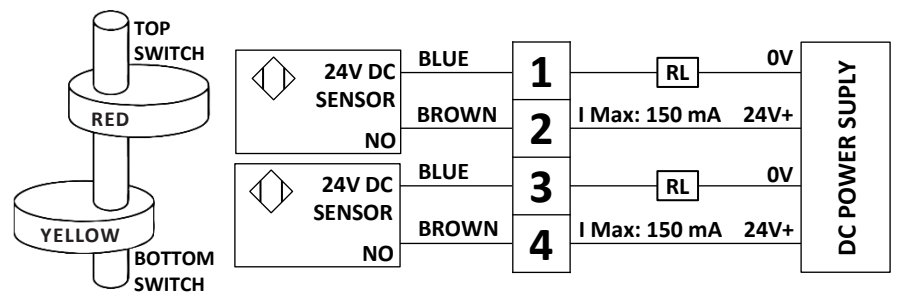
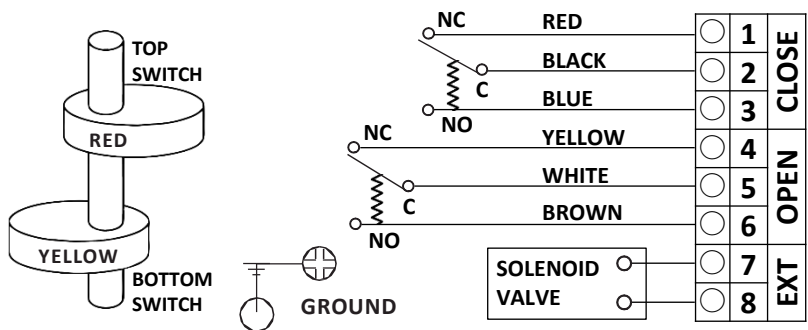
ENCLOSURE	Aluminum with polyester powder coating
INDICATOR COVER	Polycarbonate
OUTPUT SHAFT	Stainless steel (Namur)
FASTENERS (ENCLOSURE)	Stainless Steel
SEALS	NBR
ADJUSTABLE CAMS	Polycarbonate
MOUNTING BRACKET/FASTENERS	Polyester painted steel/plated steel

API200 / 220



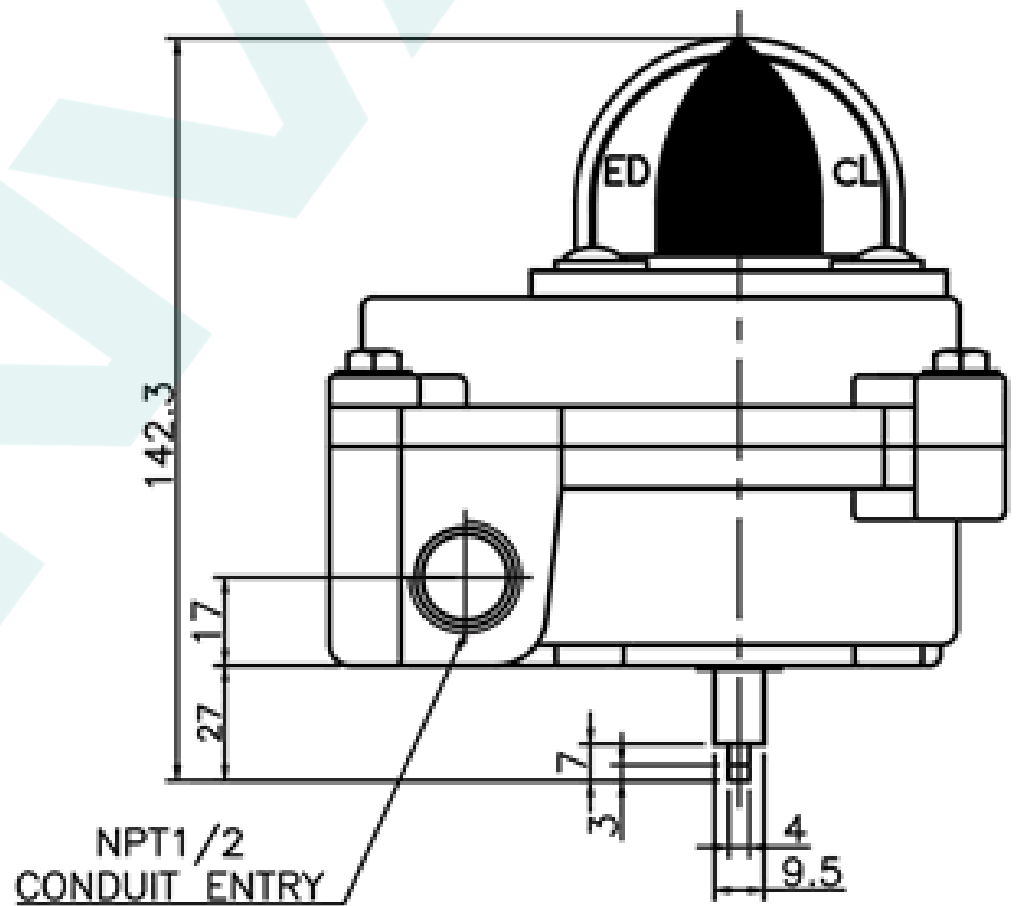
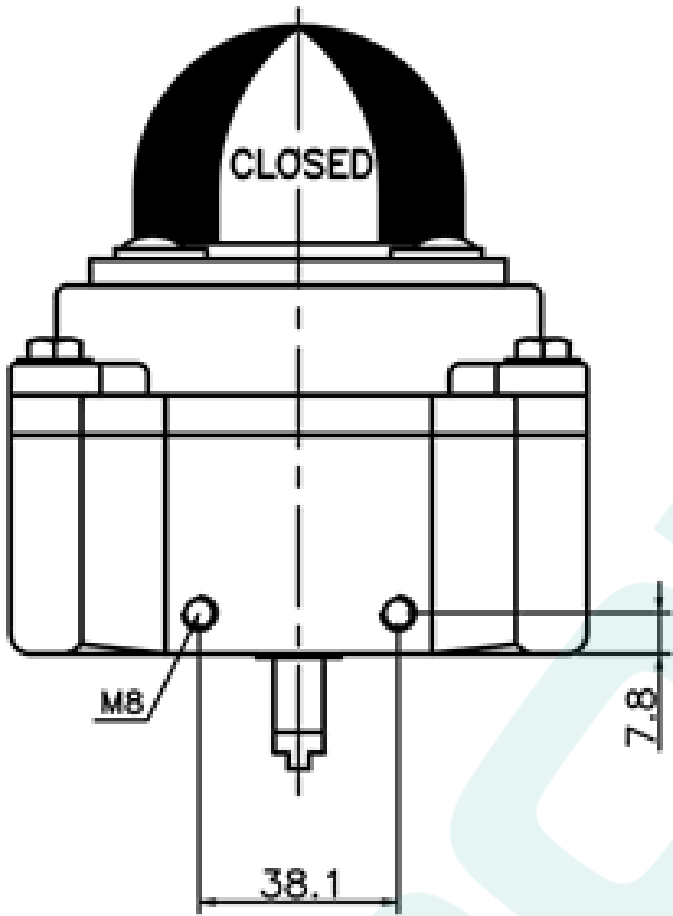
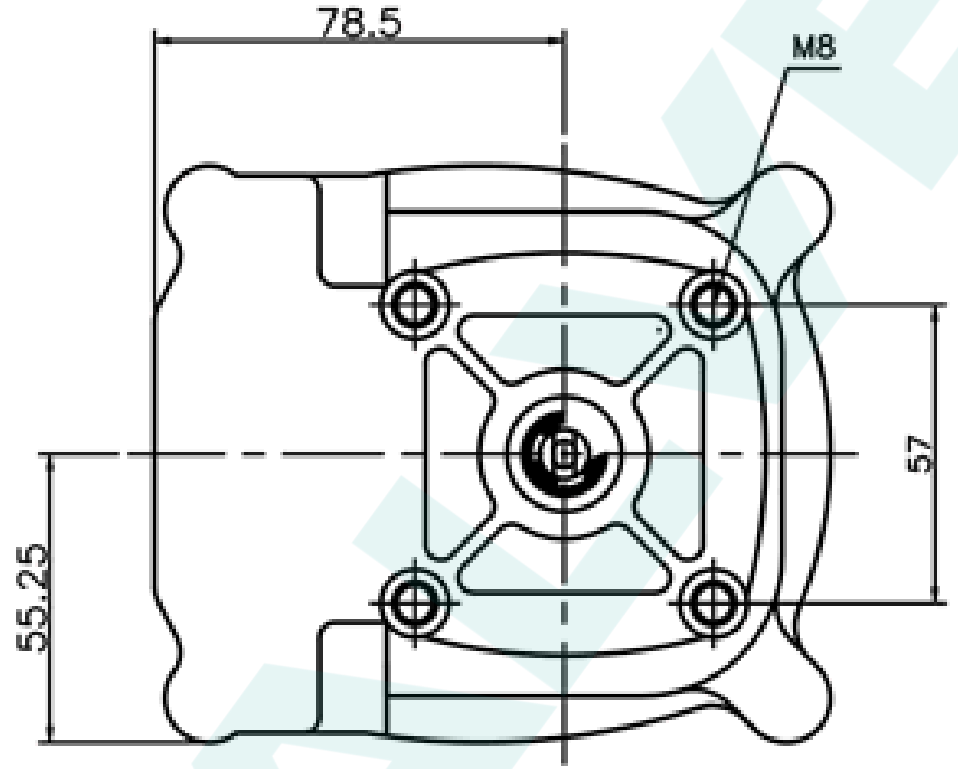
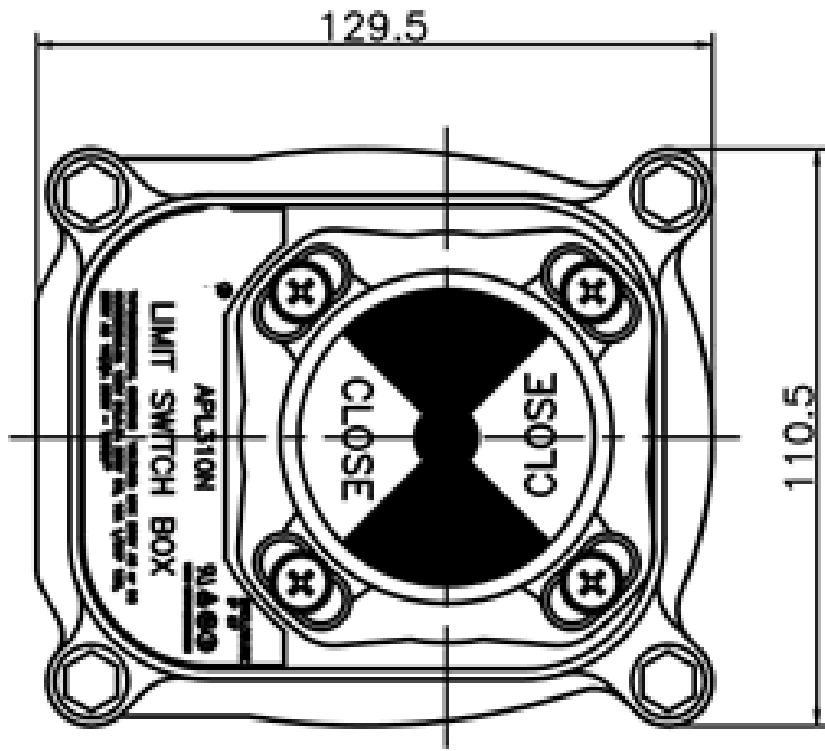
API 200 MECHANICAL SWITCHES WIRING DIAGRAM

API 220 PROXIMITY SENSOR WIRING DIAGRAM

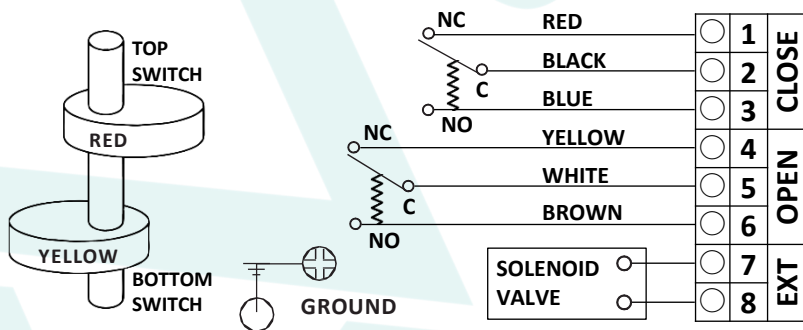


DIMENSIONS MM

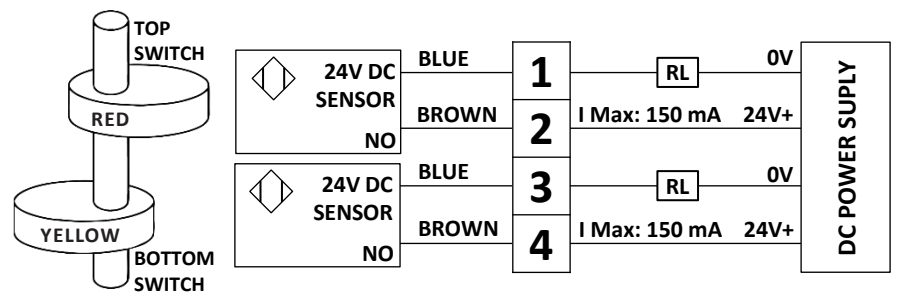
API300



API 300 MECHANICAL SWITCHES WIRING DIAGRAM

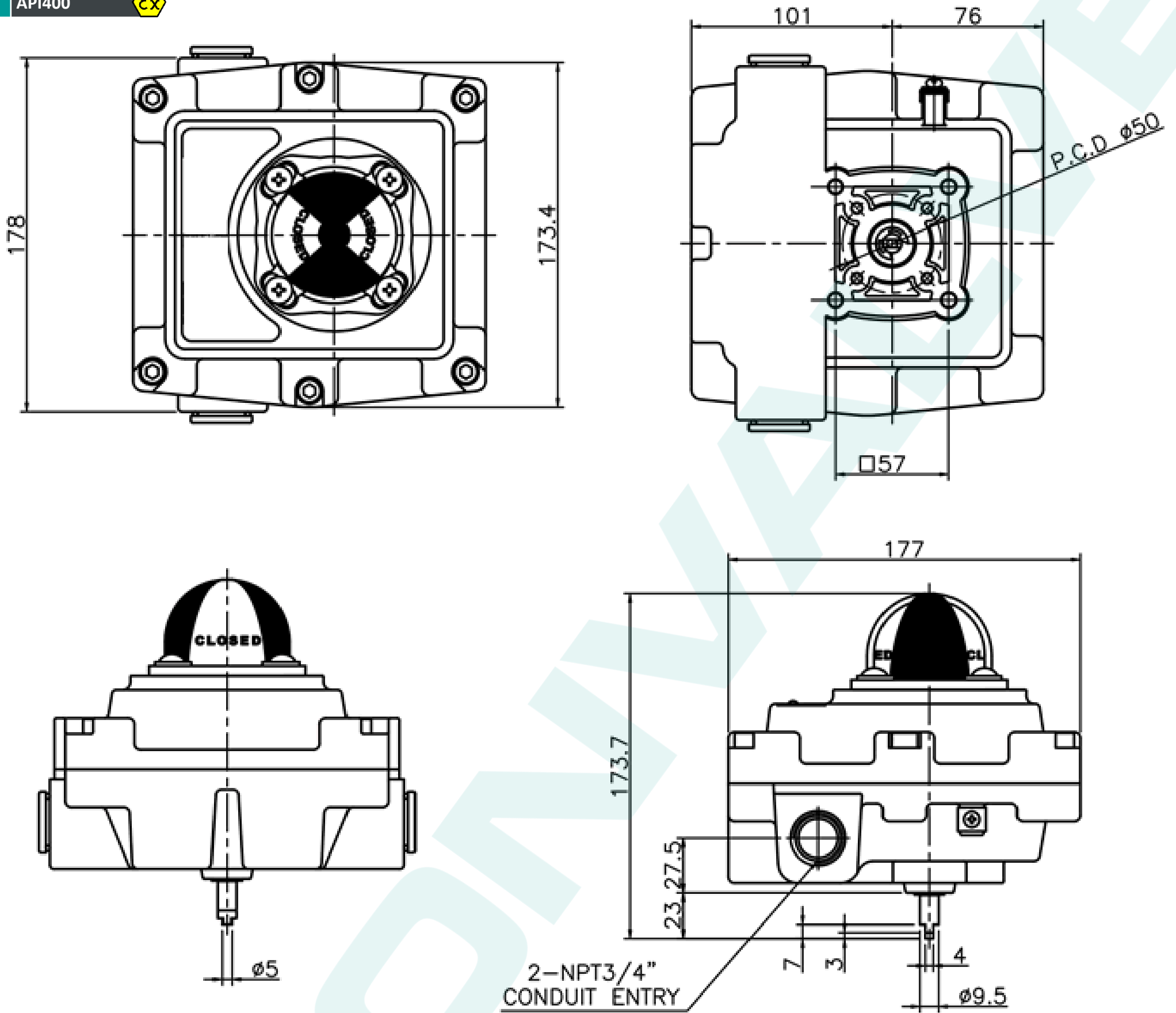


API 320 PROXIMITY SENSOR WIRING DIAGRAM



DIMENSIONS MM

API400



API 400 MECHANICAL SWITCHES WIRING DIAGRAM

API 420 PROXIMITY SENSOR WIRING DIAGRAM

